



The Future is Raised Access Floor



Our Partner

In partnership with our principals and key suppliers we are able to provide a total solution for most requirements in our field of activity. CBM carefully selects partners and principals who share our commitment to quality and to our customers.

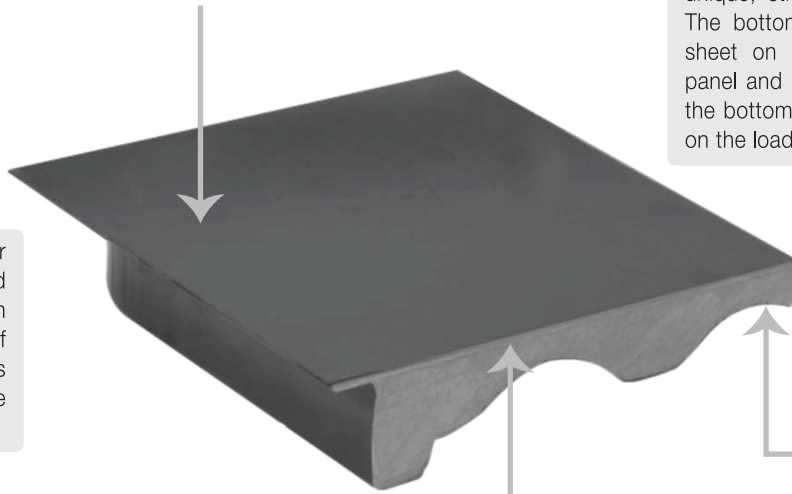


Steel Panel In Detail

Steel cement panel is made of flat virgin steel, cut to size, and welded to the bottom sheet in 100 locations. The thickness of the top sheet is variable, and depends on the load bearing requirements.

Primery component of the panel, the bottom sheet is manufactured by press-forming deep draw steel into a unique, structurally superior dome array. The bottom sheet is welded to the top sheet on 100 locations throughout the panel and on the edges, the thickness of the bottom sheet is variable and depends on the load bearing capacity required.

An inner cement based filler injected into the welded and painted panel under high pressure. This combination of cement and steel ensures structural strength, comfortable underfoot feel.

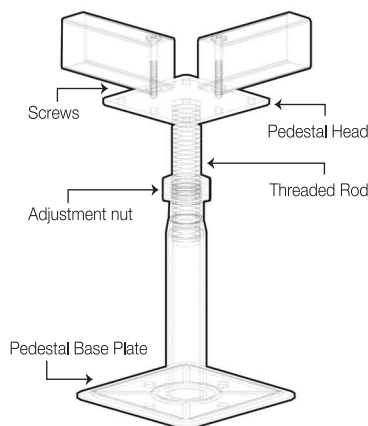
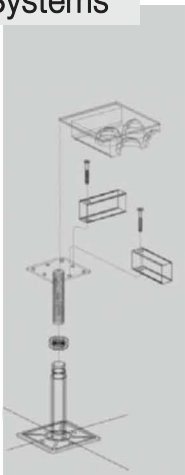


Understructure Systems In Detail

Stringer Systems

The Stringer Grid System is made of:

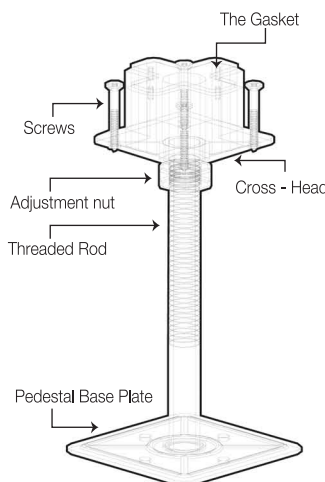
- Pedestal base
- Locking nut
- Pedestal head
- Screw



Cross - Head

The Cross - Head System is made of:

- Pedestal base
- Locking nut
- Aluminum head
- Gasket
- Screw



Steel Cement Panel Technical Data

Static Load Performance	Unit	FS 800	FS 1000
Concentrated Load	kN	3.56	4.5
Uniform Load	kN/m ²	17	23.0

Physical Properties	Unit	FS 800	FS 1000
Panel Size	mm	600 x 600	600 x 600
Panel Thickness	mm	35.0	35.0
Panel Weight	kg	13.0	14.5
Top Sheet	mm	0.8	1.0
Bottom Sheet	mm	0.7	1.0
Paint Thickness	microns	60	60

Understructure Systems Technical Data

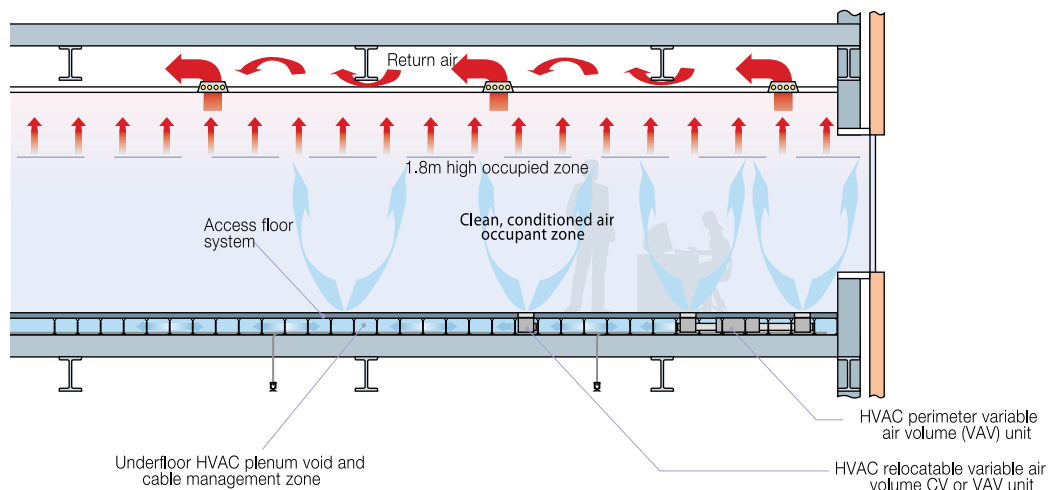
Stringer Grid			
Application	50 mm to 100 mm	100 mm to 300 mm	300 mm to 600 mm
Refurbishment	No	No	No
General Office Area	No	Yes	No
IT Room	No	Yes	No

Static Load Performance	Unit	Value
Axia Load	kN	32.0
Overturining Moment	kg	10.0

Cross - Head			
Application	50 mm to 100 mm	100 mm to 300 mm	300 mm to 600 mm
Refurbishment	Yes	Yes	No
General Office Area	Yes	Yes	No
IT Room	Yes	Yes	No

Static Load Performance	Unit	Value
Axia Load	kN	32.0
Overturining Moment	kg	10.0

HVAC, Cable Management System



Raised Access Floor

Typical existing overhead HVAC VAV system

Main structure

Structural floor slab

Structural floor slab

Floor boxes to provide power, data and telecom services to desk positions

Raised floor pedestals*

Carpet tiles

Tray or basket for cable distribution

Electrical track for Plug & Play mains/clean power supply (UPS)

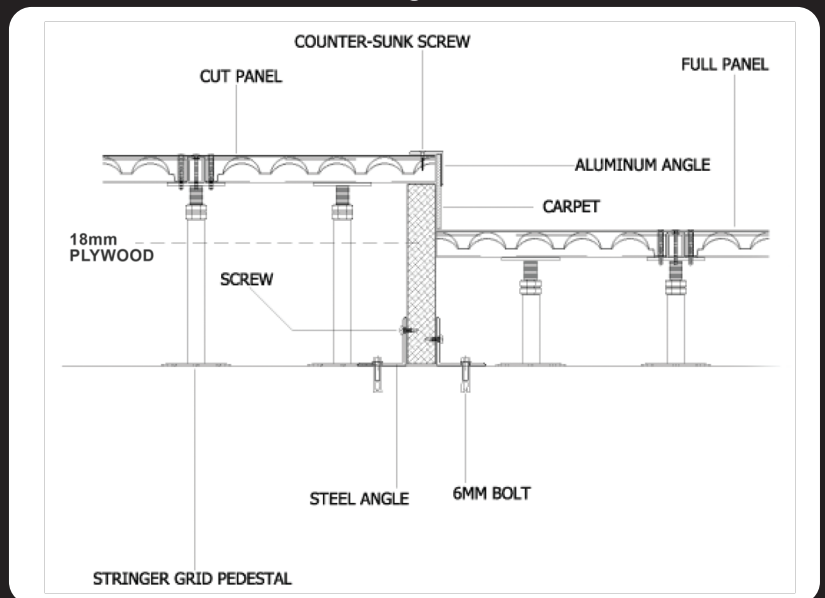
Raised floor panels provide a range of loading options dependant on application

* Finished floor height (FFH) 50 to 600mm (typical)

Raised Floor Advantages

- Upgrade and refurbish outdated office space to modern office requirements
- Facilitates underfloor cable management and/or underfloor HVAC*
- Maximises office space layout flexibility to meet occupants and tenants existing and future work space requirements, therefore extending the building's lifecycle
- Eliminates powered furniture costs
- Provides localised desk cable services
- Reduces power, voice and data cabling costs
- Permits rapid office and equipment layout change or upgrading
- Eliminates ceiling cable trays
- Removes cable ceiling to furniture pole systems and improves office environment.
- Faster on-site electrical/data/telecom installation
- Qualifies for 25% accelerated depreciation benefit
- Reduces occupier/tenant operating costs
- Reduces facility and maintenance costs

Level Change In Detail



CASA Building Materials Trdg. LLC

Tel : +971 4 88 51726 | Fax : +971 4 8851445

P.O.Box : 212822 | Dubai | United Arab Emirates

E-mail : 1info@cbm-me.com | Websit : www.cbm-me.com